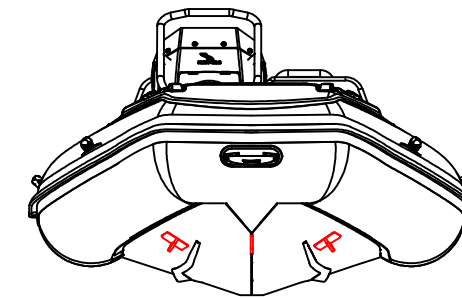
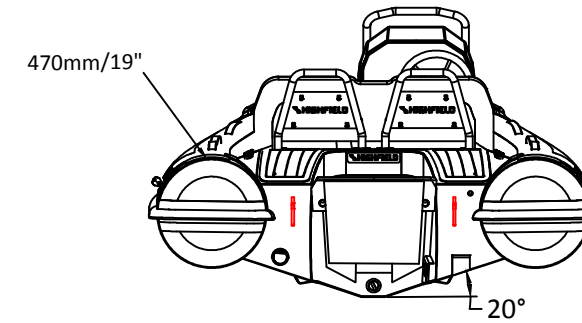
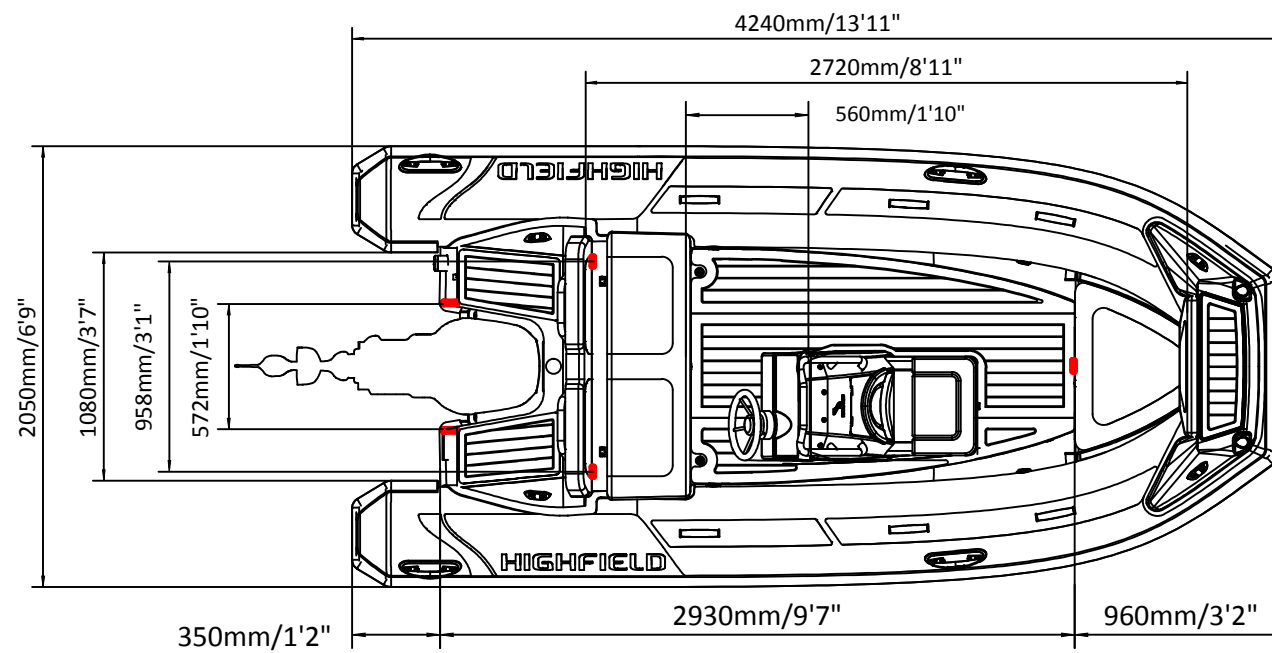
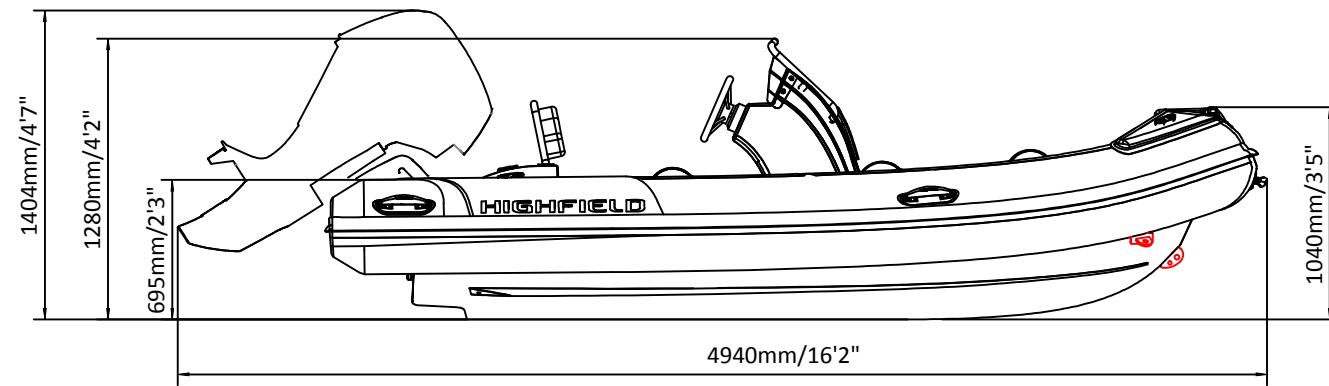


# SPORT 420

# SPECIFICATIONS



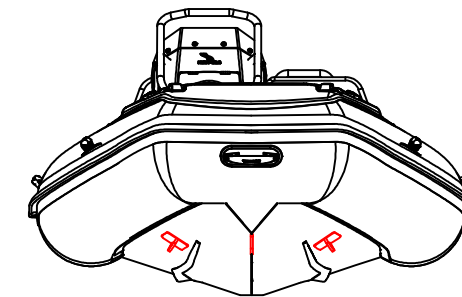
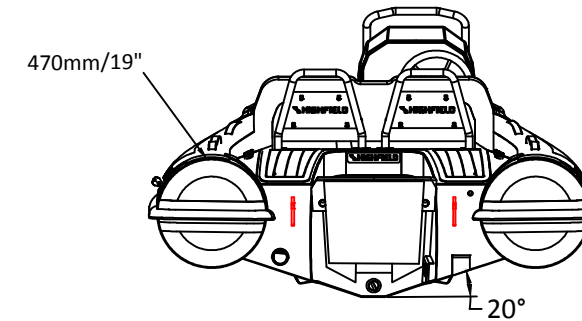
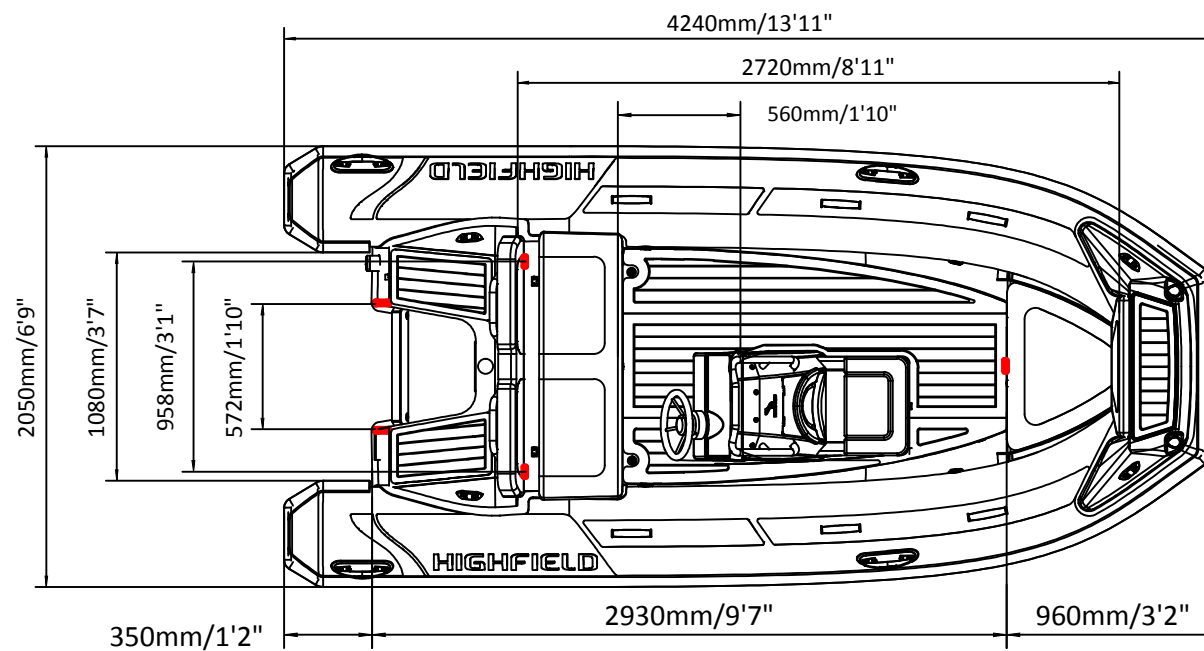
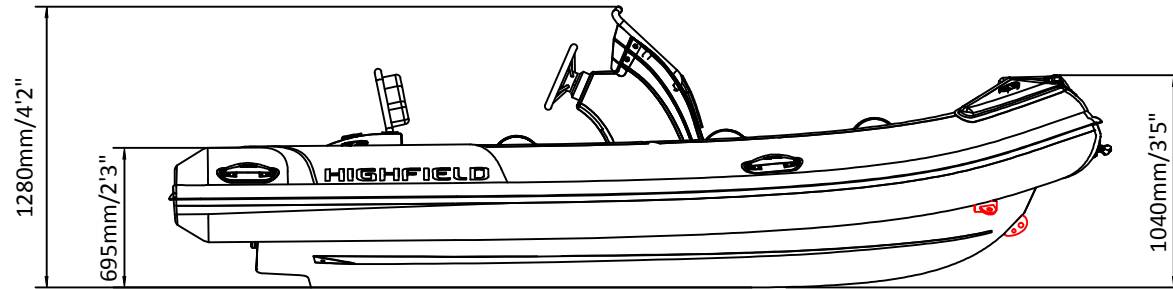
SPECIFICATIONS AND MAXIMUM CAPACITIES (Subject to change without notice. Tolerances: dimensions ±2.5%, weights ±5%)

MODEL	ISO 6185 PART	ISO 6185	Occupants		#	Weight		Shaft	Outboard Engine		Sundeck		Tow post		Rollbar		Fuel Tank Capacity		Wet Weight (Approximate) 30HP (22.38KW) +Fuel		AIR CHAMBERS	Pressure					
			KG	LB		KG	LB		KG	LB	KG	LB	KG	LB	L	GAL	KG	LB	PSI	BAR							
SPORT 420	3	C	791	1744	8	600	1323	L	52.22	70	188.5	416	309	681	9	19.8	6.5	14.3	17.5	38.6	55	14.5	539	1188	4	3.63	0.25

Boat weight includes: console

# SPORT 420

# SPECIFICATIONS



SPECIFICATIONS AND MAXIMUM CAPACITIES (Subject to change without notice. Tolerances: dimensions ±2.5%, weights ±5%)

MODEL	ISO 6185 PART	ISO 6185			#			Shaft	Outboard Engine				Sundeck		Tow post		Rollbar		Fuel Tank Capacity		Wet Weight (Approximate) 30HP (22.38KW) +Fuel		AIR CHAMBERS				
			KG	LB		KG	LB		Max power	Max weight	KG	LB	KG	LB	KG	LB	L	GAL	KG	LB	PSI	BAR					
									KW	HP	KG	LB															
SPORT 420	3	C	791	1744	8	600	1323	L	52.22	70	188.5	416	309	681	9	19.8	6.5	14.3	17.5	38.6	55	14.5	539	1188	4	3.63	0.25

Boat weight includes: console